

# Milesight

## NDAA



# AI 360° Panoramic Fisheye Network Camera



IP67

AF Lens

## DATASHEE



## KEY FEATURES

- ▶ NDAA Compliance (The fully NDAA-compliant products are well suited for government, defense and a range of projects subject to the NDAA.)
- ▶ 8/12MP Ultra High Resolution (Capturing images of the entire area with superb clarity and finest details.)
- ▶ On-board/Client-side Dewarping (Two ways of dewarping to bring users great flexibility during operation.)
- ▶ Multi-interface (Easy installation with built-in Microphone, Audio I/O, Alarm I/O and DC12V.)
- ▶ Smart IR II Technology (Combining the High Beam and Low Beam to adjust IR intensity to fit different lighting conditions.)
- ▶ 120dB Super WDR (Excellent performance even when the ratio of the luminosity of brightest and darkest is up to 120dB.)
- ▶ 256G (Supporting ultra-large external microSD/SDHC/SDXC card storage up to 256G.)
- ▶ Two Compatible Modes (Bundle-Stream Mode combines all channels into one for easier compatibility. Multi-Channel Mode sends all the original channels for separate settings.)
- ▶ Smart Stream (Bandwidth, storage and bit rate are saved with Smart Stream On, e.g. H.265+ saves 70%~80% bandwidth that of H.264.)

## AI Video Analytics

- 8 intelligent VCA modes powered by AI engine, provides advanced and accurate smart video analysis for network cameras.
- People Counting technology provides high accuracy and real-time data based on AI algorithm with statistic reports.



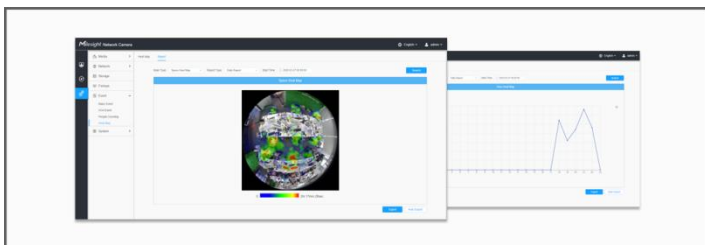
## Fisheye Auto Tracking

The algorithm-based Fisheye Auto Tracking enables the Fisheye Camera to leverage digital PTZ to better safeguard the monitored area from overall to partition. When moving object is detected in the view, the Original view or Panoramic view will display the whole view, while other Regional views will cooperate with the linkage to track the details.



## Advanced Heat Map

Applied in panoramic cameras, the Advanced Heat Map is used for the statistics of popularity in surveillance zones. Featuring various detailed configurations and intuitive Time/Space pattern, it visualizes visitor behavior which would greatly help the business intelligent management for smarter retail solutions.



## Exquisite Design

The body design of the camera insists on the idea of neatness and exquisiteness. As a whole, the screw-free design and Multiple-interface Cable keep the body neat. The Power Supply Board replaced the traditional way of power supply with cable which freeing interior space, making the camera an art of surveillance inside and out.



# AI 360° Panoramic Fisheye Network Camera

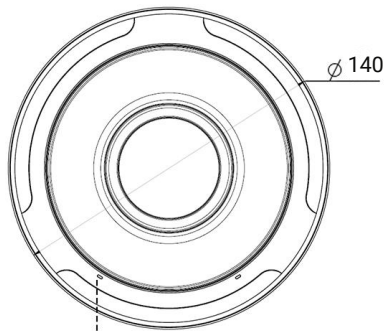


	Model	MS-C8274-PA (4K)	MS-C9674-PA (12MP)
<b>Camera</b>	Image Sensor	1/1.8" Progressive Scan CMOS	1/1.7" Progressive Scan CMOS
	Min. Illumination	Color: 0.008Lux@F1.8 B/W: 0Lux with IR on	Color: 0.05Lux@F2.8 B/W: 0Lux with IR on
	WDR	120dB Super WDR	
	Lens	1.5mm@F1.8	1.98mm@F2.8
	Mount	M12	
	Field of View	Ceiling Mount: 360°; Wall Mount: 180°; Flat Mount: 360°	
	Shutter Time	1/100000s~1s	
	IR Distance	Up to 15m	
	Day/Night Mode	Day/Night/Auto/Customize/Schedule	
	S/N	>55dB	
<b>Video</b>	Max.Input Resolution	3840x2160	4000x3000
	Primary Stream	Fisheye View: 60Hz: 30fps@(2144x2144, 2048x2048, 1920x1920, 1280x1280) 50Hz: 25fps@(2144x2144, 2048x2048, 1920x1920, 1280x1280)	Fisheye View: 60Hz: 30fps@(3000x3000, 2560x2560, 1920x1920, 1280x1280) 50Hz: 25fps@(3000x3000, 2560x2560, 1920x1920, 1280x1280)
	Secondary Stream	Fisheye View: 60Hz: 30fps@(1280x960, 1024x1024, 736x736, 576x576) 50Hz: 25fps@(1280x960, 1024x1024, 736x736, 576x576)	
	Video Compression	H.265+/H.265(HEVC)/H.264+/H.264	
	Video Bit Rate	16Kbps~16Mbps(CBR/VBR Adjustable)	
	Privacy Masking	Up to 24 areas	
	ROI	Up to 8 areas	
	Image Setting	Brightness/Contrast/Saturation/Sharpness	
<b>Display</b>	Mount Mode	Ceiling Mount/Wall Mount/Flat Mount	
	Decoding Mode	On-board Dewarping/Client-side Dewarping	
	Display Mode	<b>11 display modes in total</b> <b>Client-side Dewarping:</b> Ceiling Mount: 1O, 1P, 2P, 4R, 1O3R, 1P1R, 1P4R, 1P6R, 1O8R Wall Mount: 1O, 1P, 4R, 1O3R, 1P1R, 1P4R Table Mount: 1O, 1P, 2P, 4R, 1O3R, 1P1R, 1P4R, 1P6R, 1O8R <b>On-board Dewarping:</b> Ceiling Mount: 1O, 1P, 2P, 4R, 1O3R, 1P3R, 1O1P3R Wall Mount: 1O, 1P, 4R, 1O3R, 1P3R, 1O1P3R Table Mount: 1O, 1P, 2P, 4R, 1O3R, 1P3R, 1O1P3R  Note: 1. Only Fisheye in Multi-Channel Mode supports 1O1P3R. 2. The above letters O, P and R are explained as follows: O----Fisheye View; P----180° Panoramic View; 2P----2*180° Panoramic View; R----PTZ	
<b>Interface</b>	Ethernet	1*RJ45 10M/100M/1000M Ethernet Port	
	Audio I/O	Built-in Microphone; 1/1 (Multi-interface Version)	Built-in Microphone and Audio Input/Output interface
	Alarm I/O	1/1 (Multi-interface Version)	1/1
<b>Network</b>	Network Storage	NAS(Support NFS, SMB/CIFS), ANR	
	Protocol	IPv4/IPv6, ARP, TCP, UDP, RTCP, RTP, RTSP, RTMP, HTTP, HTTPS, DNS, DDNS, DHCP, FTP, NTP, SMTP, SNMP, UPnP, Bonjour, SIP, PPPoE, VLAN, 802.1x, QoS, IGMP, ICMP, SSL	



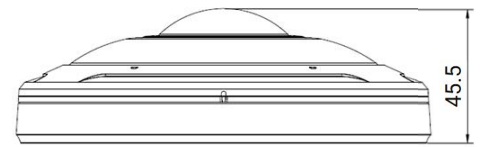
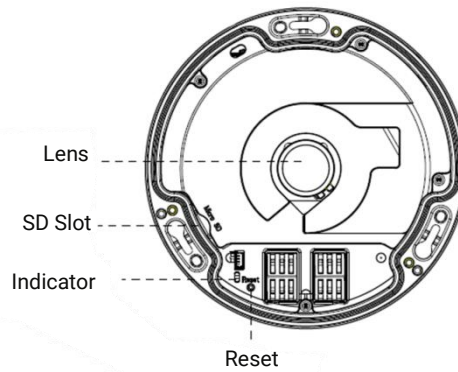


## Structure Diagrams



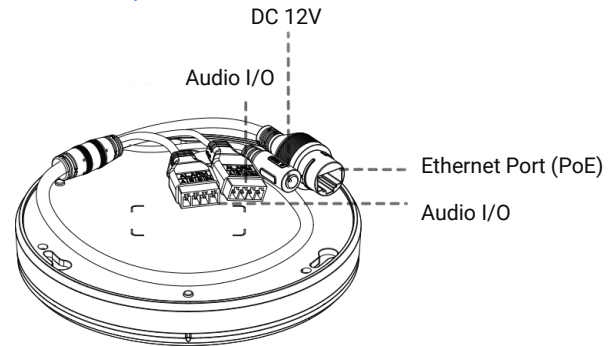
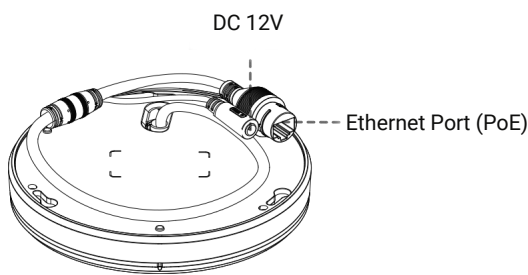
Microphone

8MP Fisheye Camera



8MP Fisheye Camera (Multi-interface Version)

12MP Fisheye Camera



Units: mm

## Accessories Support

### A01 Pole Mount

Weight: 720g

Dimensions: 170\*51.5\*152.6mm



### A03 External Corner Bracket

Weight: 900g

Dimensions: 170\*152.5\*76.3mm



### A72 Wall Mount

Weight: 560g

Dimensions: 240\*160\*136mm



### A75 Junction Box

Weight: 200g

Dimensions: 145\*167\*33.5mm



### A76 Pendant Mount

Weight: 620g

Dimensions: 136\*L (L is default as 300mm, also can be extended with A76-L)



### A76-L Extension Lever

Weight: 315g

Dimensions: 34\*300mm

